



ACTUATOR TYPE:  
OPEN - CLOSE / THREE POSITION  
GEB341.1E  
TG058-0



## OVERVIEW

Control function:	Open - close / Three position
Nominal torque:	20Nm
Voltage:	AC 100V - 240V
Auxiliary switches:	None

- For use in damper areas up to 4m<sup>2</sup> - friction dependent
- Self-centering shaft adapter
- Mechanically adjustable span between 0° - 90°
- Prewired with 0.9m long connection cable
- Position indicator

## CABLE LABELLING

PIN	CABLE				DESCRIPTION
	CODE	NO.	COLOUR	ABBRE.	
Power supply	N	4	Light Blue	BU	Neutral conductor
	Y1	6	Black	BK	Position signal AC 100V - AC 240V, clockwise
	Y2	7	White	WH	Position signal AC 100V - AC 240V, anti-clockwise

**TECHNICAL SPECIFICATION TABLE**

AC 100V - 240V	Operating voltage AC / Frequency	AC 100V - 240V ±10% / 50/60Hz
	Power consumption - Running Power consumption - Holding	AC: 4VA / 1.6W AC: 0.9W
Functional data	Nominal torque Maximum torque (blocked) Nominal rotary angle / Max. rotary angle Runtime for rotary angle 90° (motor operation)	20Nm 35Nm 90° / 95° ±2° 150s
Positioning signal	Input voltage Y1 (wire 6) Input voltage Y2 (wire 7)	Clockwise Anti-clockwise
Position indicator	Output signal	NA
Auxiliary switches	Not fitted to this model	NA
Connection cables	Cross-section Standard length Permissible length for signal lines	0.75mm <sup>2</sup> 0.9m 300m
Degree of protection of housing	As per EN 60529 (note mounting instructions)	IP 54
Environment conditions	Operation / Transport • Temperature • Humidity (non-condensing)	IEC 60721-3-3 / IEC 60721-3-2 -32 +55 °C / -32 +70 °C <95% r.h.
Dimensions	Actuator: W x H x D Damper Shaft: Round / Square Damper Shaft: Min. Shaft length	82mm x 192mm x 60mm 8mm - 20.5mm / 8mm - 14.5mm 20mm
Weight approx.	Without packaging	1.1kg
Service life	Cycles	60 000
Sound level	Motor	<35dB

**SAFETY**

CAUTION: National safety regulations

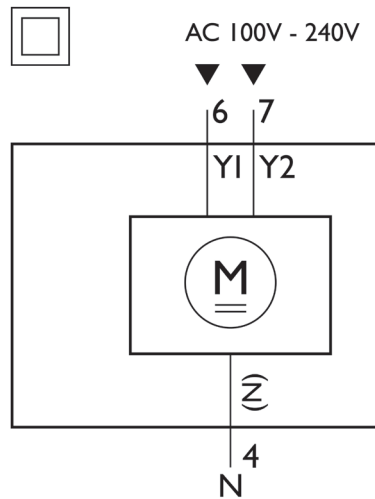


Failure to comply with national safety regulations may result in personal injury and property damage.

- Observe national provisions and comply with the appropriate safety regulations.
- Use only properly trained technicians for mounting, commissioning and servicing.

**INTERNAL DIAGRAM**

Open - close / Three position

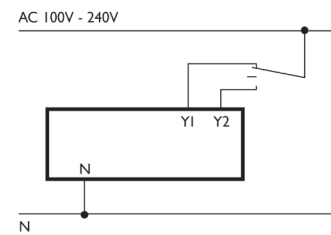
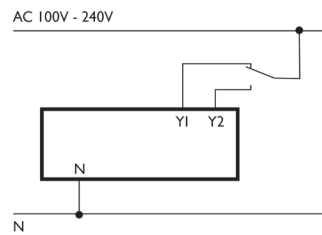
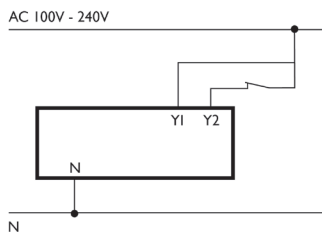


**CONNECTION DIAGRAM**

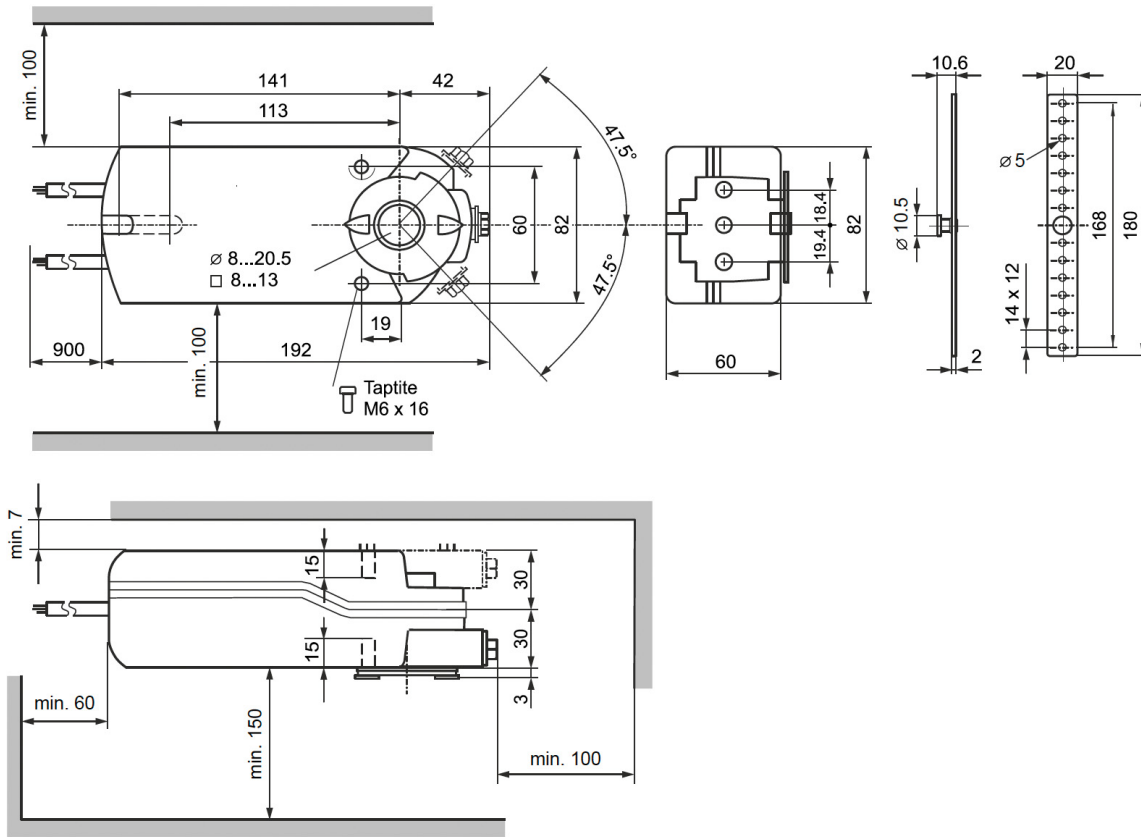
Open - close, single wire control  
Single pole single throw (SPST)

Open - close, two wire control  
Single pole double throw (SPDT)

Three position control



**ACTUATOR DIMENSIONS IN MM**



Dimensions in mm