



ACTUATOR TYPE:
OPEN - CLOSE / THREE POSITION
GEB346.1E
TG059-0



OVERVIEW

Control function:	Open - close / Three position
Nominal torque:	20Nm
Voltage:	AC 100V - 240V
Auxiliary switches:	Adjustable auxiliary switches for supplementary functions

- For use in damper areas up to 4m² - friction dependent
- Self-centering shaft adapter
- Mechanically adjustable span between 0° - 90°
- Prewired with 0.9m long connection cable
- Position indicator

CABLE LABELLING

PIN	CABLE				DESCRIPTION
	CODE	NO.	COLOUR	ABBRE.	
Power supply	N	4	Light Blue	BU	Neutral conductor
	Y1	6	Black	BK	Position signal AC 100V - AC 240V, clockwise
	Y2	7	White	WH	Position signal AC 100V - AC 240V, anti-clockwise
Auxiliary switch	Q11	S1	Grey / Red	GY / RD	Switch A input
	Q12	S2	Grey / Blue	GY / BU	Switch A normally - closed contact
	Q14	S3	Grey / Pink	GY / PK	Switch A normally - open contact
	Q21	S4	Black / Red	BK / RD	Switch B input
	Q22	S5	Black / Blue	BK / BU	Switch B normally - closed contact
	Q24	S6	Black / Pink	BK / PK	Switch B normally - open contact

TECHNICAL SPECIFICATION TABLE

AC 100V - 240V	Operating voltage AC / Frequency	AC 100V - 240V ±10% / 50/60Hz
Functional data	Power consumption - Running	AC: 4VA / 1.6W
	Power consumption - Holding	AC: 0.9W
Positioning signal	Nominal torque	20Nm
	Maximum torque (blocked)	35Nm
	Nominal rotary angle / Max. rotary angle	90° / 95° ±2°
	Runtime for rotary angle 90° (motor operation)	150s
Position indicator	Input voltage Y1 (wire 6)	Clockwise
	Input voltage Y2 (wire 7)	Anti-clockwise
Position indicator	Output signal	NA
Auxiliary switches	AC power supply	AC 24V - 250V
	• Switching voltage	6 A / 2 A
DC power supply	• Nominal current res./ind.	DC 12V - 30V
	• Switch voltage	DC 2 A
Switching range for auxiliary switches / Setting increments	• Nominal current	5° - 90° / 5°
Connection cables	Cross-section	0.75mm ²
	Standard length	0.9m
	Permissible length for signal lines	300m
Degree of protection of housing	As per EN 60529 (note mounting instructions)	IP 54
Environment conditions	Operation / Transport	IEC 60721-3-3 / IEC 60721-3-2
	• Temperature	-32 +55 °C / -32 +70 °C
Dimensions	• Humidity (non-condensing)	<95% r.h.
Weight approx.	Actuator: W x H x D	82mm x 192mm x 60mm
	Damper Shaft: Round / Square	8mm - 20.5mm / 8mm - 14.5mm
	Damper Shaft: Min. Shaft length	20mm
Service life	Without packaging	1.1kg (without switches)
Sound level	Cycles	60 000
	Motor	<35dB

SAFETY

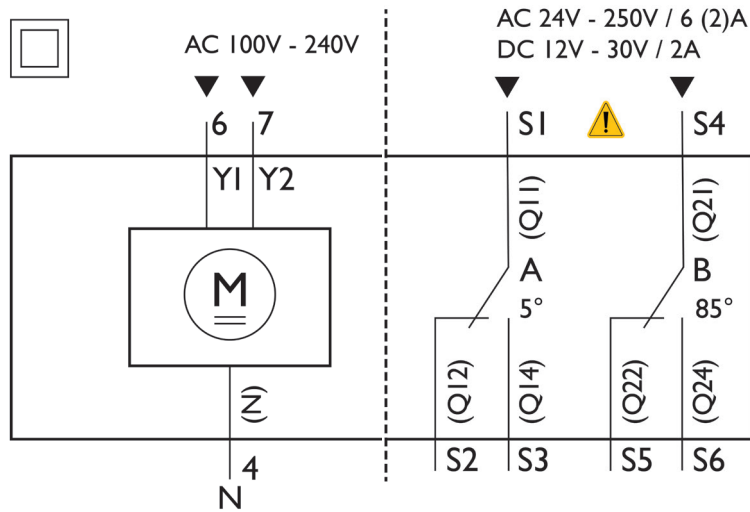
CAUTION: National safety regulations



- Failure to comply with national safety regulations may result in personal injury and property damage.
- Observe national provisions and comply with the appropriate safety regulations.
 - Use only properly trained technicians for mounting, commissioning and servicing.

INTERNAL DIAGRAM

Open - close / Three position

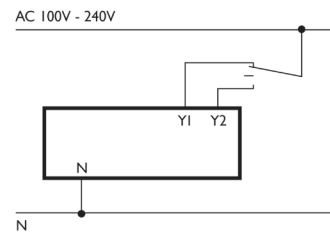
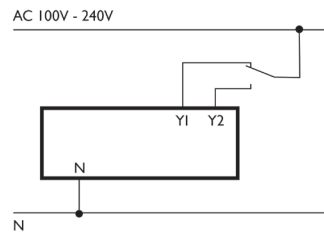
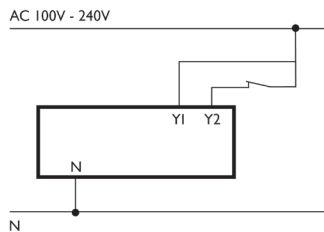


CONNECTION DIAGRAM

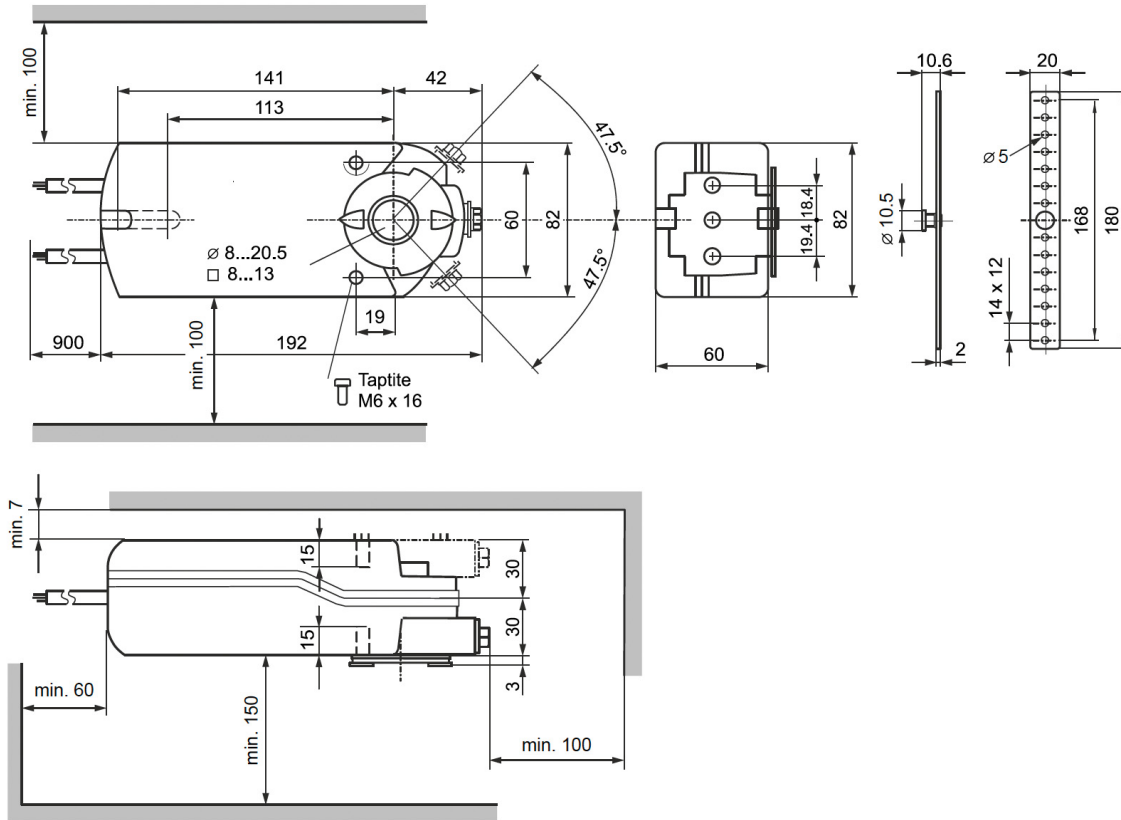
Open - close, single wire control
Single pole single throw (SPST)

Open - close, two wire control
Single pole double throw (SPDT)

Three position control



ACTUATOR DIMENSIONS IN MM



Dimensions in mm